

Goalrilla™

The Toughest
Basketball System
on the Planet.

MODEL NO.

B2601EF

HAMMER ITEM NO.

2157

MEDIUM WEIGHT RIM

OWNER'S MANUAL

PRO-STYLE FLEX RIM



Powder-Coated
Rim & Stainless
Steel Components



All-Weather
Nylon Net



Fits 3" x 4"
Bolt Pattern

*Heavy Weight Rim with 5x5 bolt pattern also available.

1. Read this manual before starting assembly.

Read each step completely before beginning each step.

2. Save these instructions and your proof of purchase (receipt) in the event that the manufacturer has to be contacted for replacement parts.

Please Do Not Return This Product To The Store!

Contact Hammer Sports AG at:

Tel: 0731-97488-41

Email: info@hammer-basketball.com

Hammer Sport AG

Abt. Kundendienst

Von-Liebig-Str. 21

89231 Neu-Ulm

Please visit our website at:

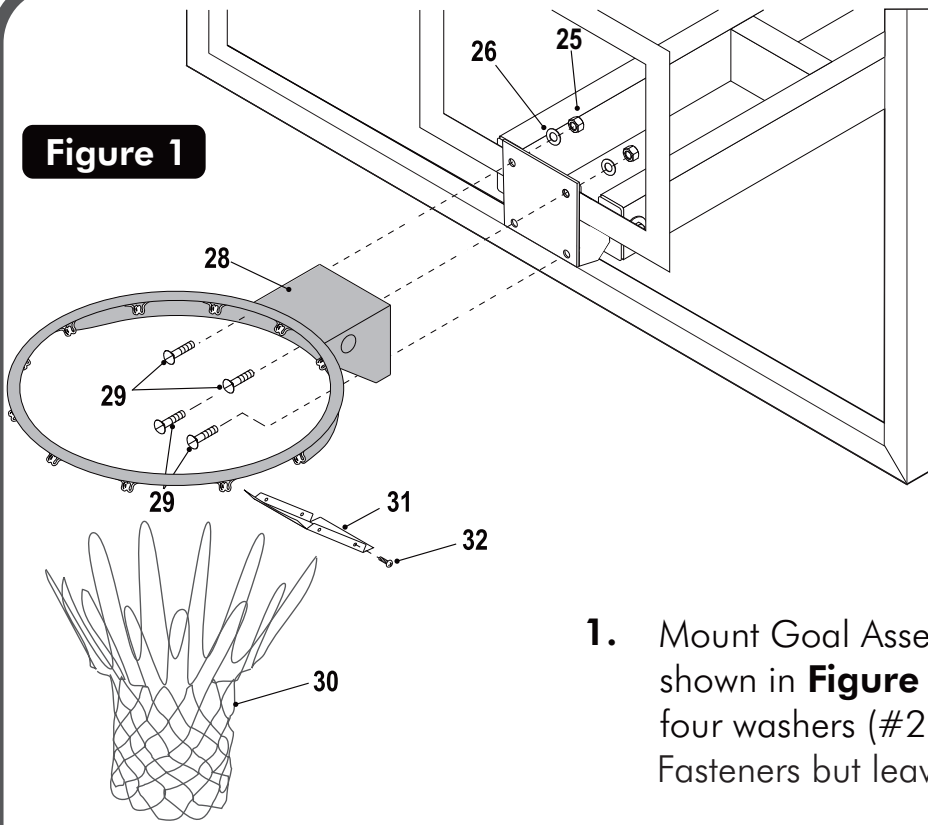
www.hammer-basketball.de

ESCALADE®

S P O R T S

2L-7931-00

Figure 1



! CAUTION !

INSTALL RIM EXACTLY AS SHOWN. FAILURE TO DO SO COULD DAMAGE GLASS.

! CAUTION !

NEVER USE RIM WITH COVER PLATE REMOVED!

1. Mount Goal Assembly (#28) to Backboard as shown in **Figure 1**, using four bolts (#29), four washers (#26) and four nuts (#25). Tighten Fasteners but leave loose enough to level rim.
2. Place a level across rim assembly and adjust rim until it is level. Finish tightening the four nuts.
3. Attach Cover Plate (#31) to the Rim (#28) with four Screws (#32), then Net (#30). See **Figure 1**.

Replacement Parts List B2601EF

Key#	Part #	Description	Qty.
25	2B-6238-10	3/8-16 Locknut	4
26	2B-6289-10	3/8 X 19mm Flat Washer	4
27		NOT USED	
28	6A-6329-02	Goal Assembly	1
29	1B-6782-10	3/8-16 X 1-3/4" Carriage Bolt	4
30	3F-6010-00	Net	1
31	2S-6427-00	Rim Cover Plate	1
32	1B-6238-01	#8 x 1/2" Thread Forming Screw	4
33	2L-7931-00	This Manual	1

11. Service-Hotline und Ersatzteilbestellformular



Um Ihnen optimal helfen zu können, halten Sie bitte Artikel-Nummer, Seriennummer, Explosionszeichnung und Teileliste bereit.

S E R V I C E - H O T L I N E

Tel.: 0731-97488- 41

Fax: 0731-97488-64

Montag bis Freitag

von 09.00 Uhr bis 16.00 Uhr

Mail: info@hammer-basketball.com

An
Hammer Sport AG
Abt. Kundendienst
Von-Liebig-Str. 21
89231 Neu-Ulm

Art.-Nr.:
Serien Nr.:

Ort: Datum:

Ersatzteilbestellung/Spare Part order
(Bitte in Druckbuchstaben ausfüllen!)

Kaufdatum: Gekauft bei Firma:
(Garantieansprüche nur in Verbindung mit einer Kopie des Kaufbeleges!)

Bitte liefern Sie mir folgende Ersatzteile (Bitte leserlich schreiben!):

Position	Bezeichnung	Stückzahl	Bestellgrund

Käufer:
.....
(Name, Vorname)
.....
(Strasse, Hausnr.)
.....
(PLZ, Wohnort)
.....
(Telefon, Fax)
.....
(E-Mail-Adresse)
.....

Lieferadresse: (wenn abweichend von Käuferadresse)
.....
(Firma)
.....
(Ansprechpartner)
.....
(Strasse, Hausnr.)
.....
(PLZ, Wohnort)
.....
(Telefon, Fax)
.....
(E-Mail-Adresse)
.....

90 DAY LIMITED WARRANTY

This consumer warranty extends to the original consumer purchase of any ESCALADE SPORTS®Product (hereinafter referred as the "Product").

WARRANTY DURATION: This Product is warranted to the original consumer purchase of a period of ninety (90) days from the original purchase.

WARRANTY COVERAGE: ESCALADE SPORTS warrants to the original Consumer Purchaser that any Product of its manufacture is free from defects in material and workmanship when used for the intended purpose under normal use and conditions. THIS WARRANTY IS VOID IF THE PRODUCT HAS BEEN DAMAGED BY ACCIDENT, UNREASONABLE USE, NEGLIGENCE, IMPROPER SERVICE, FAILURE TO FOLLOW INSTRUCTIONS PROVIDED WITH THE PRODUCT OR OTHER CAUSES NOT ARISING OUT OF DEFECTS IN MATERIAL AND WORKMANSHIP.

WARRANTY PERFORMANCE: During the above ninety (90) day warranty period, ESCALADE SPORTS shall repair or replace with a comparable model, and Product, or component thereof, which may prove defective under normal use and proper care, and which our examination shall disclose to our satisfaction to be thus defective, please contact our Warranty Dept.

1. Proof of purchase (original retail purchaser) is required for all warranty claims.

2. Call or email Hammer Sport AG

Tel: 0731-97488-41

E-mail: info@hammer-basketball.com

Other than shipping requirements no charge will be made for such repair or replacement of in-warranty Products. ESCALADE® SPORTS strongly recommends that the Product is insured for value prior to mailing.

WARRANTY DISCLAIMERS: ANY IMPLIED WARRANTIES ARISING OUT OF THIS SALE, INCLUDING BUT NOT LIMITED TO THE IMPLIED WARRANTIES OF MERCHANTABILITY AND FITNESS FOR A PARTICULAR PURPOSE, ARE LIMITED IN DURATION TO THE ABOVE NINETY (90) DAY WARRANTY PERIOD. ESCALADE® SPORTS SHALL NOT BE LIABLE FOR LOSS OF USE OF THE PRODUCT OR OTHER CONSEQUENTIAL OR INCIDENTAL COSTS, EXPENSES OR DAMAGES INCURRED BY THE CONSUMER OF ANY OTHER USE.

Some states do not allow the exclusion or limitation of implied warranties or consequential or incidental damages, so the above limitations or exclusions may not apply to you.

LEGAL REMEDIES: This warranty gives you specific legal rights and you may also have other rights which may vary from state to state.