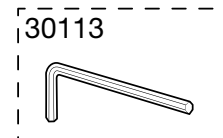
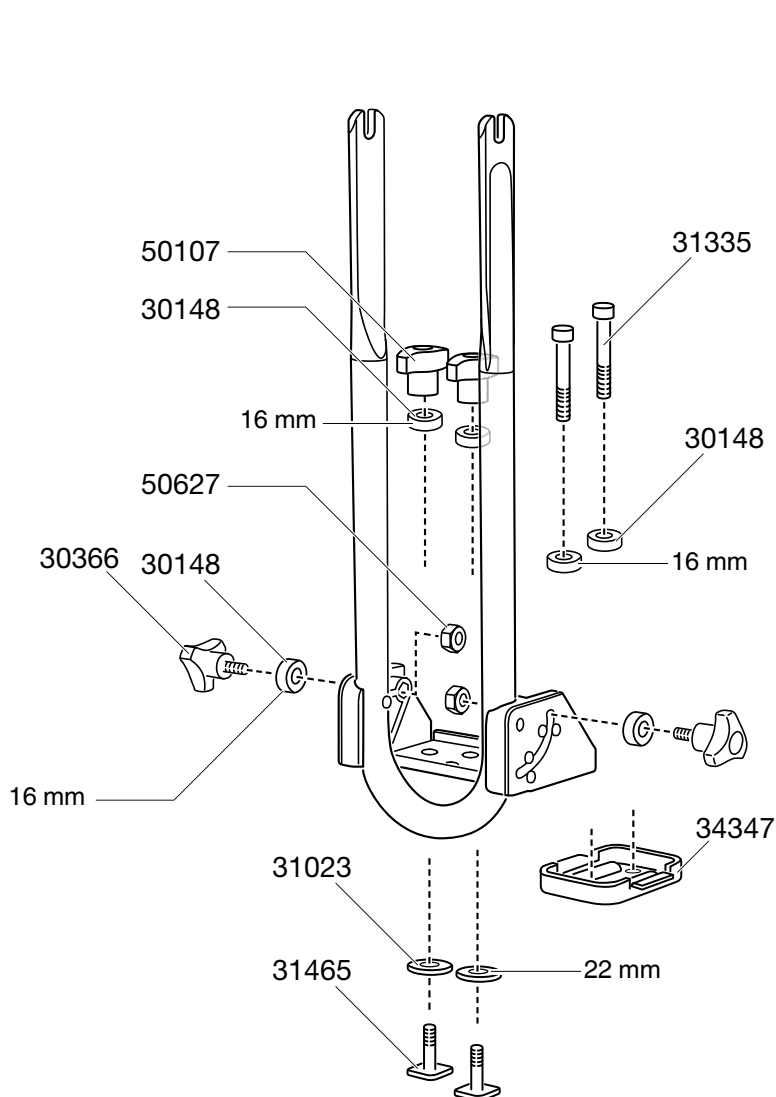


545-2/545200

5 års garanti
years warranty
Jahre Garantie
ans de garantie



Individual packs

Pallet

Product	EAN	Kg	L/W/H in cm
545-2	7313020049557	1,2	49x16x9,1

Product	Qty/kg	L/W/H in cm
545-2	110/132	100/80/13